

# WamBam

Fun Name. Serious Fence.

## NEWPORT VINYL PICKET FENCE WITH POST AND NO-DIG STEEL PIPE ANCHOR KIT (36" H X 72"W)

### 60 MIN

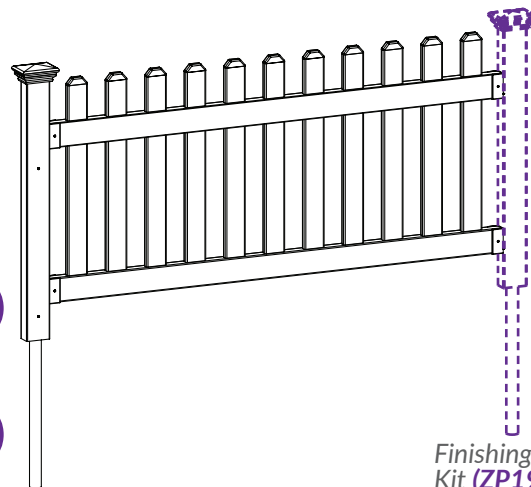
*Approximate assembly time*

Want to see a video on how to  
assemble this product?  
**Scan the QR code**



## ASSEMBLY

ZP19002



Finishing Post  
Kit (ZP19003)  
sold separately.

## GENERAL INFORMATION

### MISSING OR DAMAGED PARTS?



➤ **Visit Our Website**  
so we can help you right away!  
**parts.nychbrands.com**

\* You can also reach us via phone or email.

Hours of Operation - **Weekdays 9am-5pm EST**

To better help you, **please have the following**

- Your product number (**ZP19002**)
- Your affected part letters
- Your original product box

### NEED ASSEMBLY HELP?

If you are having problems with assembly or installation of this product,  
**please contact at:**

📞 **704-892-5222 / 877-234-6196**    ✉ **hmmm@wambamfence.com**

### NEED TO RETURN?

If for some reason you need to return this product, please allow us to help resolve your issues first. If you still decide to return the product, **you will need to initiate the return from the company you originally purchased from.**

## HAVE YOU CONTACTED YOUR LOCAL UTILITIES?

You must call your local utilities before you start installing your fence to avoid puncturing any unseen underground utilities, especially electrical or gas lines. Fortunately, this is made easy for you.



**Know what's below.  
Call before you dig.**

- < *Simply call **811** in the US or visit [www.call811.com](http://www.call811.com).*
- < *In Canada, visit [www.tcenergy.com/vendors](http://www.tcenergy.com/vendors) for a list of phone numbers by province.*

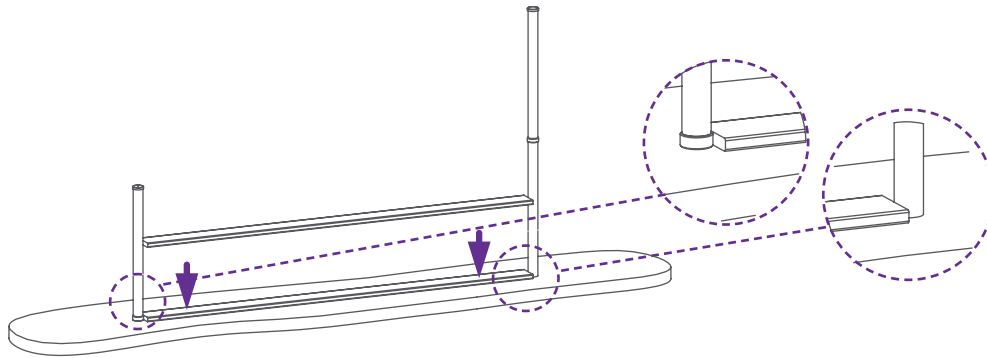
## IMPORTANT! UNSTABLE GROUND OR ROCK?



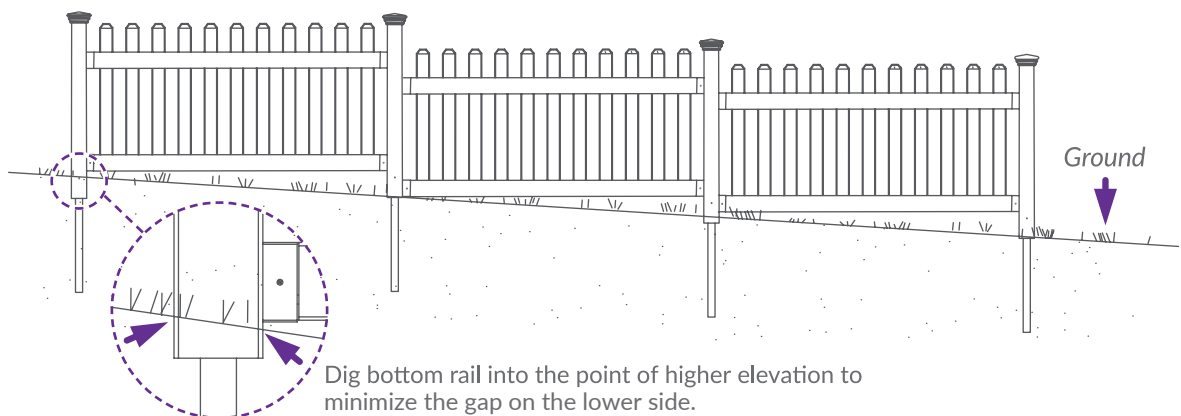
If you encounter rock or unstable ground, you can concrete the pipe into place either during installation or afterwards.

## TIPS:

1. It is extremely difficult to move pipe anchors once they are driven into the ground, so carefully planning and measuring your fence is essential.
2. After you've installed your first fence panel and feel familiar with the process, you can opt to temporarily remove your fence panel and posts, and continue driving all of your pipe anchors.
3. If you wish to cut down your fence, use a fine-toothed metal or wood blade.
4. Optionally, for easier spacing of pipe anchors, you can use a piece of 1x4 wood lumber cut 70 1/4" for step 2.3 on page 7.

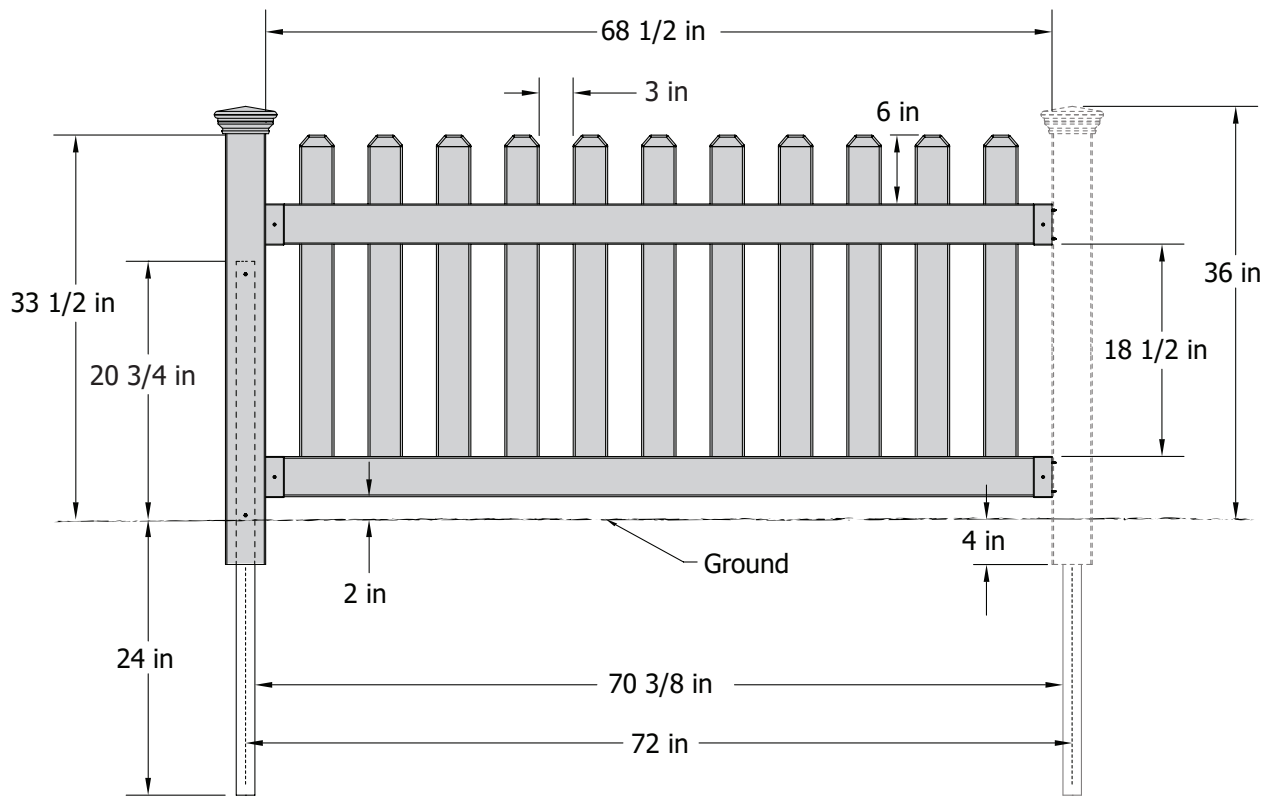


5. If your yard is steeply pitched or is very uneven, you may need to stair-step your panels as illustrated below. Post heights can be trimmed down as necessary.



**Warning:** If your yard has a severe slope or elevation change greater than approximately 5" to 6" over one panel of fence, you will not be able to install this fence. Your post will not be long enough to accommodate this slope.

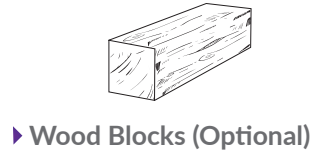
DETAILED PRODUCT DIMENSIONS AND SPECIFICATIONS



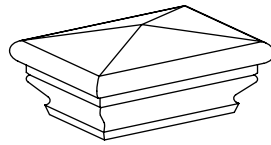
► This fence can easily be trimmed down horizontally to fit your custom space. Use fine-toothed circular saw or hack saw.

## LAY OUT MATERIALS

► Tools required for a smoother installation experience.



**A** ►

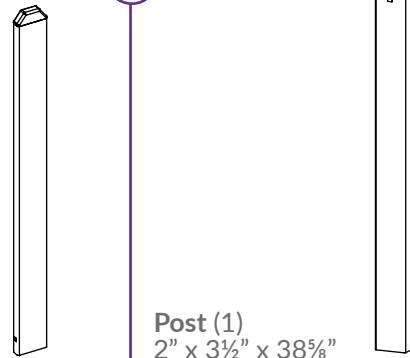


Post Cap (1)

**B** ►

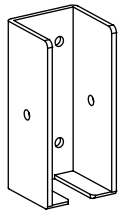
Picket (11)  
7/8" x 3" x 29 3/4"

**C** ►



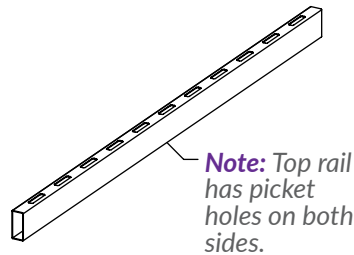
Post (1)  
2" x 3 1/2" x 38 5/8"

**D** ►



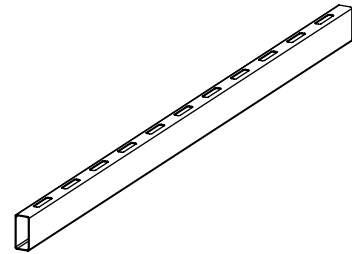
Rail Bracket (4)

**E** ►



Top Rail (1)  
1 1/2" x 3 1/2" x 68 1/4"

**F** ►



Bottom Rail (1)  
1 1/2" x 3 1/2" x 68 1/4"

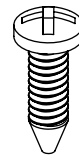
**G** ►

Pipe Anchor (1)  
1 5/8" x 44 3/4"



**H** ►

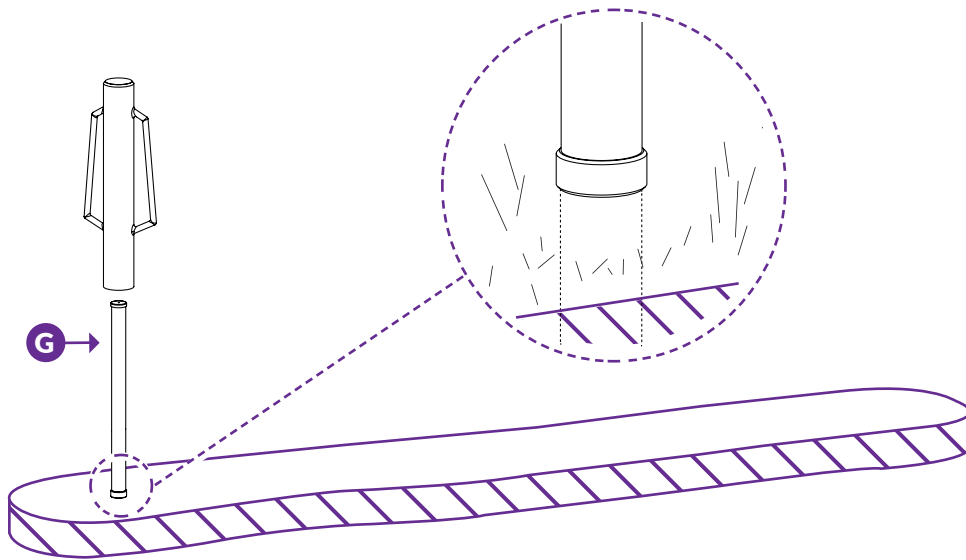
3/4" Self-Drilling Stainless Steel Screw (24)



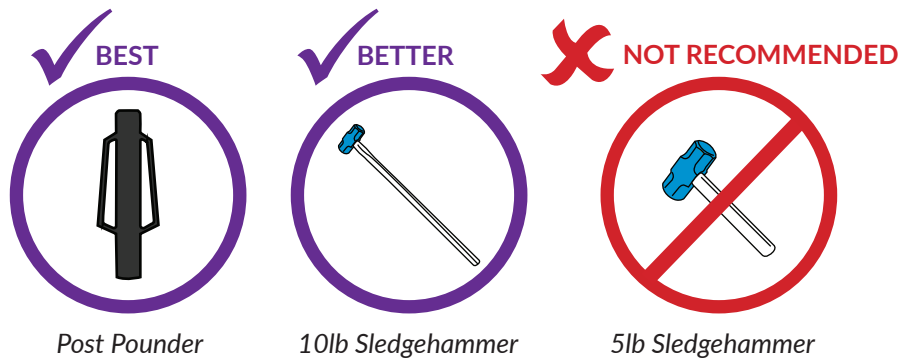
## INSTALL PIPE ANCHORS

### STEP 1

► After establishing the placement of your fence, drive your first Pipe Anchor (G) into the ground. The bottom of the plastic collar should sit just above the ground when finished.



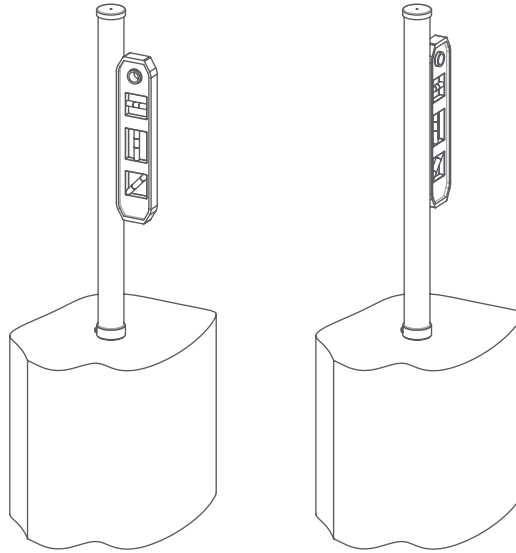
### TOOL OPTIONS FOR DRIVING THE PIPE ANCHOR INTO THE GROUND:



Purchase a post pounder at any hardware store, or go to [www.wambamfence.com/](http://www.wambamfence.com/) Post pounders cost roughly \$25 to \$30.

**STEP 2** ▶

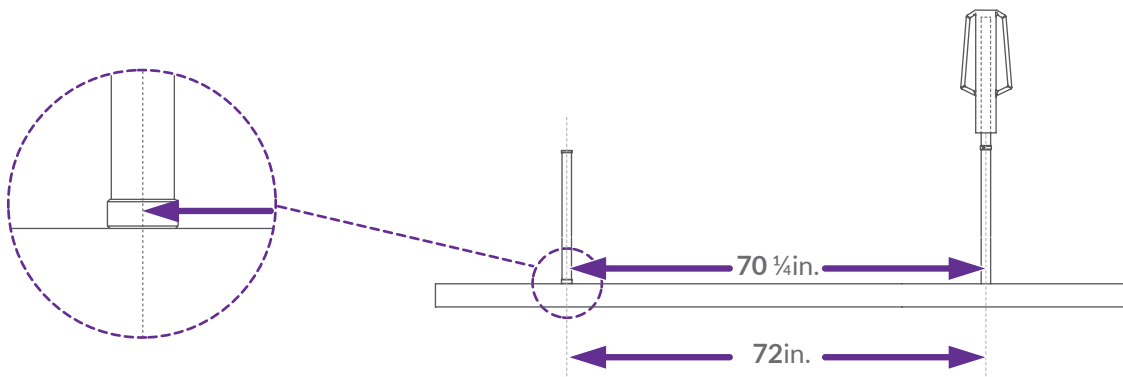
▶ Try and drive the pipe anchor as level as possible. Check level about every 12". After about 18", the trajectory of the pipe anchor is usually established, and you cannot manually pull the pipe back to make it level.



**Note:** Check level  
in both directions.

**STEP 3** ▶

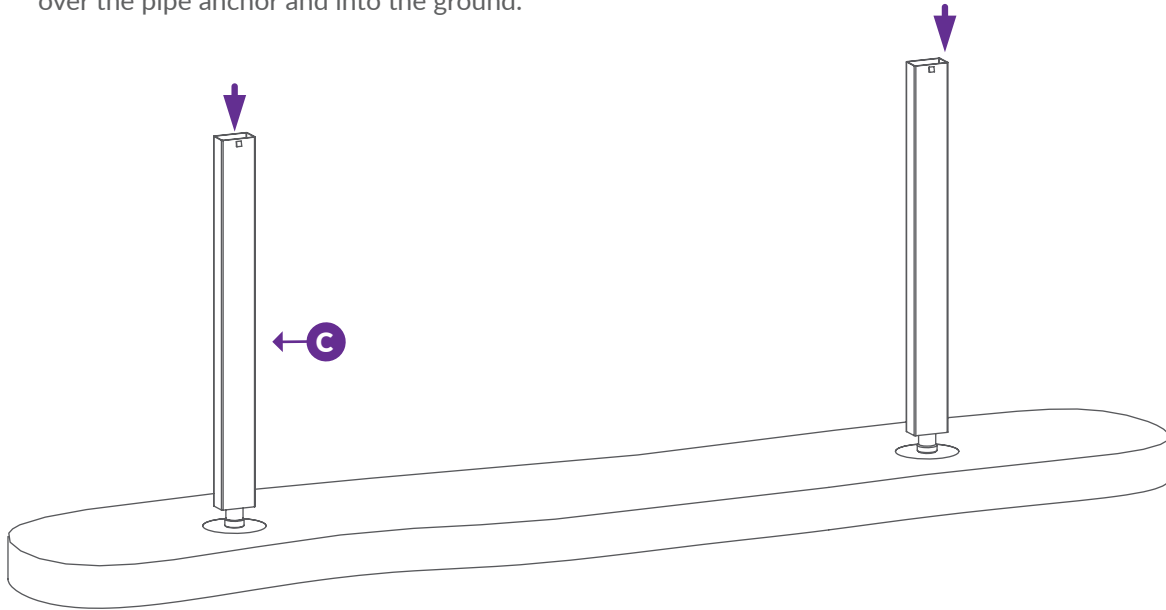
▶ Identify the location of your second pipe anchor and drive it into the ground. The distance from the plastic collar to the next pipe should be 70 ¼" (inside to inside) or 72" (center to center).



## INSTALL POST OVER PIPE ANCHOR

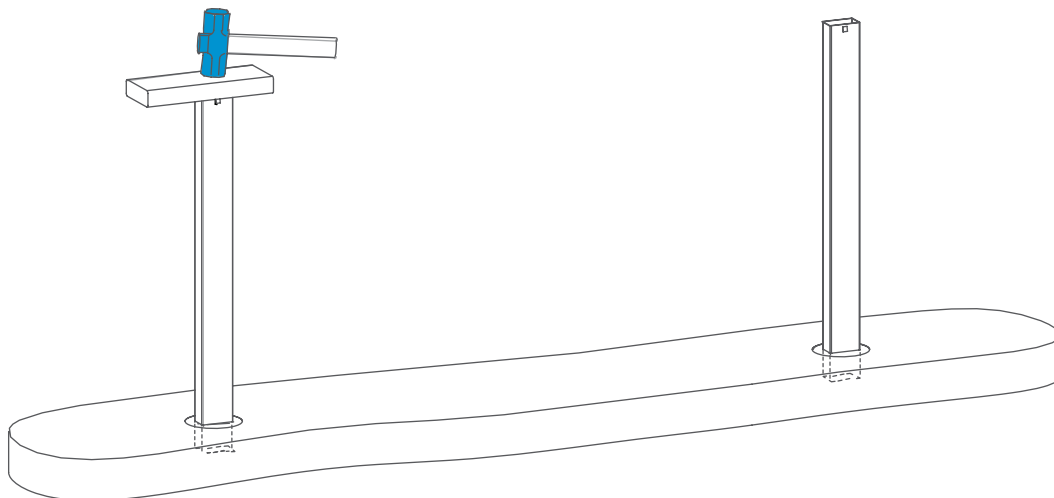
### STEP 4 ▶

▶ Orient the Post (C) correctly with tabs at the top, and slide the post over the pipe anchor and into the ground.



### STEP 5 ▶

▶ Using a wood block (or something to protect the top of the post), pound the post down another 2" to 4" below the ground to prevent it from twisting on the pipe anchor. Repeat for the second post.

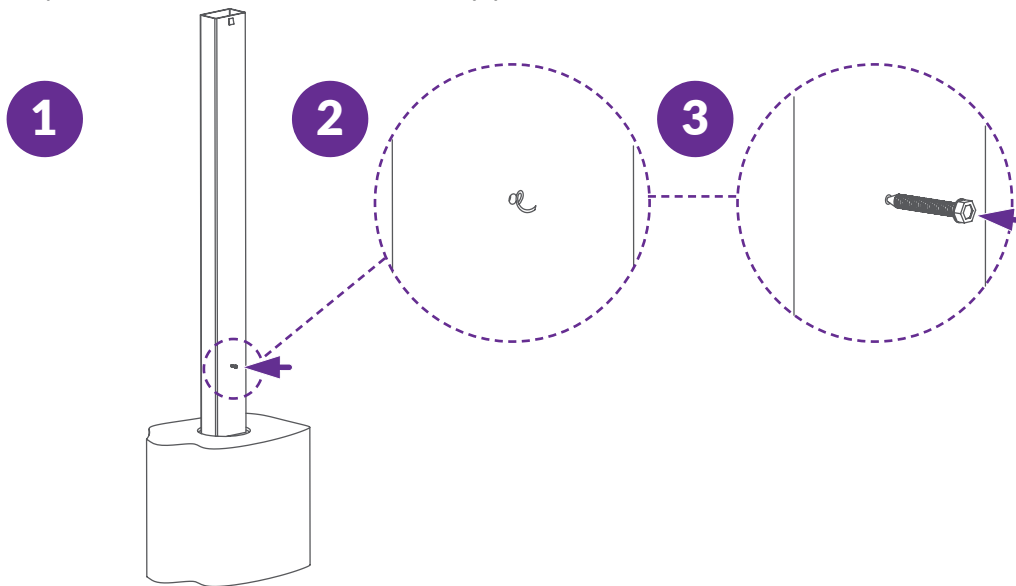
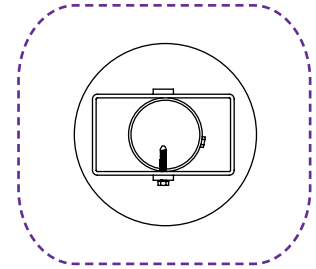


## (OPTIONAL): SECURE POST TO PIPE ANCHOR

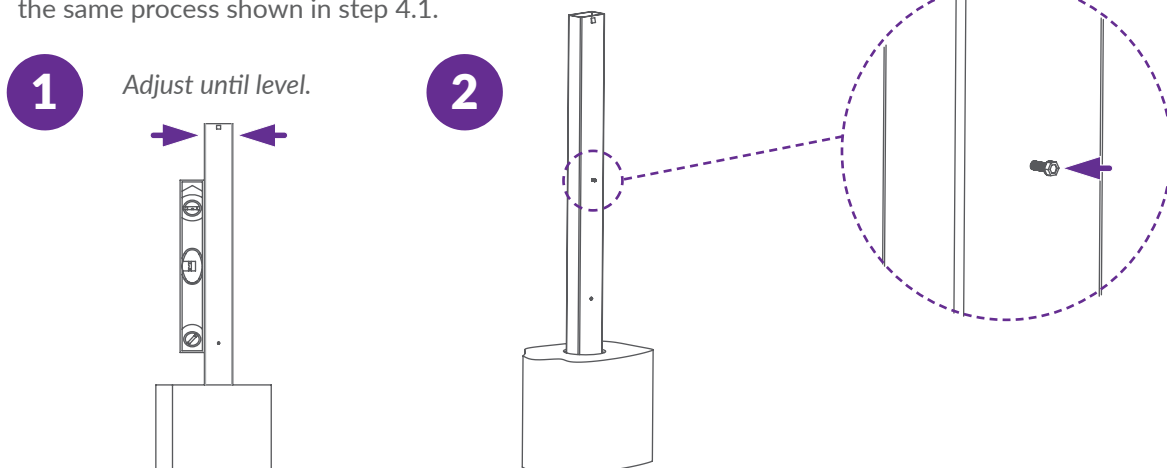
This step is only to be completed if you are concerned that someone may pull your fence posts out of the ground.

1. Drive a  $\frac{3}{4}$ " -  $1\frac{1}{4}$ " self-drilling hex head tek screw (NOT INCLUDED) through the post until it meets the pipe anchor and back the screw out of the post.
2. Remove the vinyl burrs from the post and screw.
3. Slowly drive the screw with force into the pipe anchor.

Top View



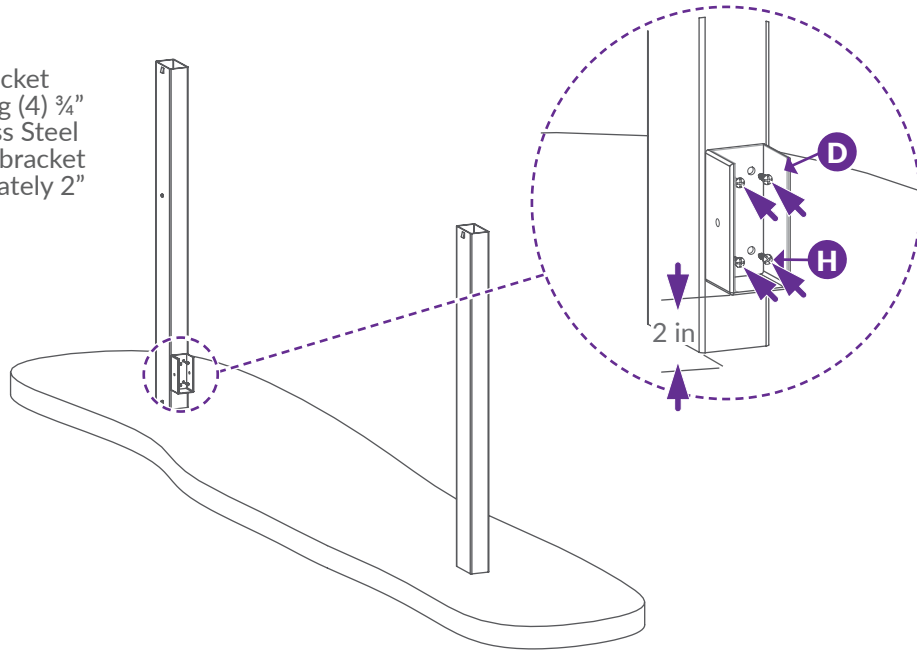
1. Use a level to straighten the post.
2. Drive a second hex head tek screw into the top of the post using the same process shown in step 4.1.



## INSTALL FENCE PANEL

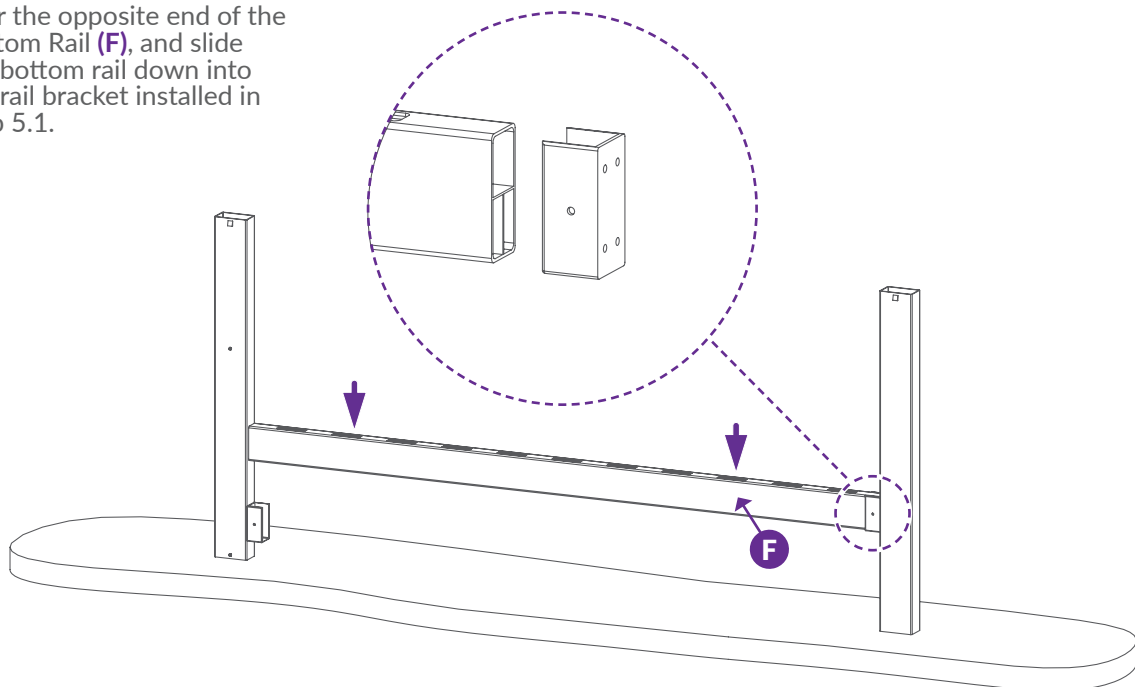
### STEP 6

▶ Install one Rail Bracket (D) on the post using (4) 3/4" Self-Drilling Stainless Steel Screws (H). The rail bracket should be approximately 2" off the ground.



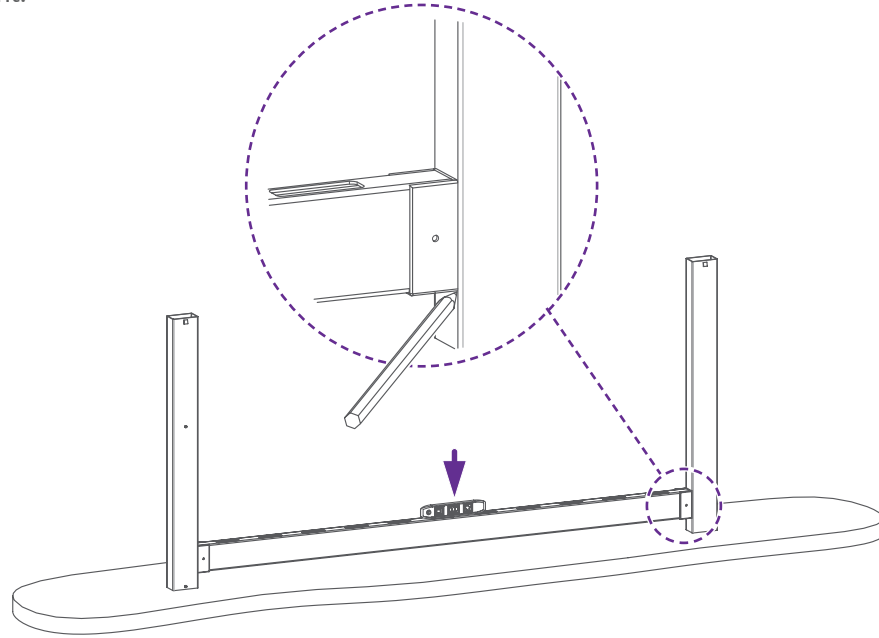
### STEP 7

▶ Slide another rail bracket over the opposite end of the Bottom Rail (F), and slide the bottom rail down into the rail bracket installed in step 5.1.

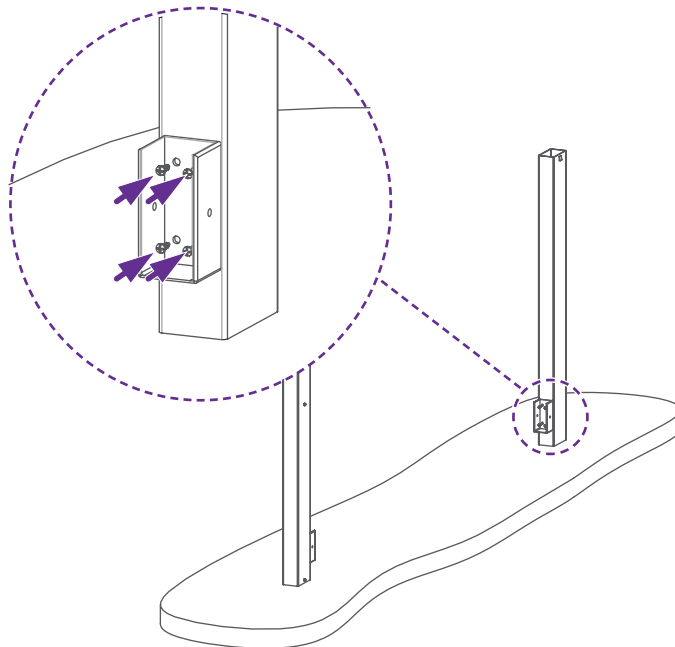


**STEP 8** ▶

- ▶ Use a level on the top of the bottom rail to determine where to install the opposing rail bracket, and mark the height.

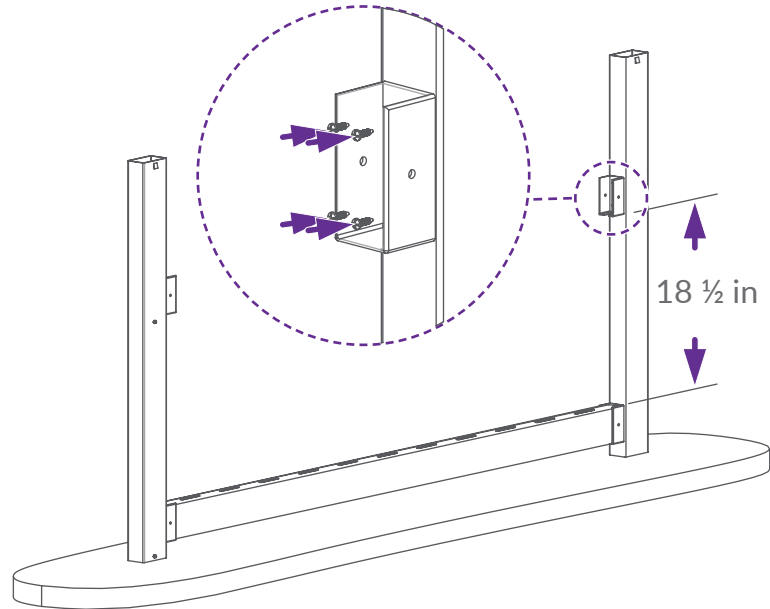
**STEP 9** ▶

- ▶ Temporarily remove the bottom rail, and install the rail bracket using (4)  $\frac{3}{4}$ " self-drilling stainless steel screws.

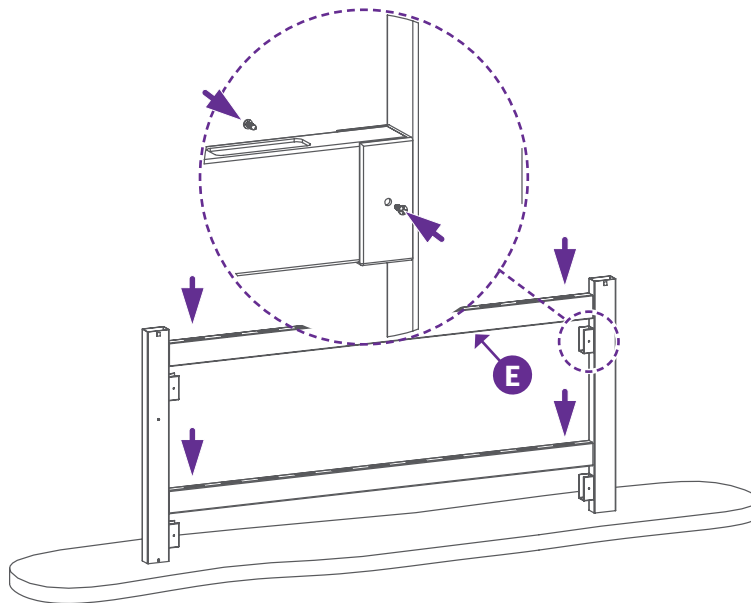


**STEP 8** ▶

▶ Insert the bottom rail into the rail brackets. Measure 18½" from the top of the bottom rail bracket as illustrated below, and install the top rail brackets.

**STEP 9** ▶

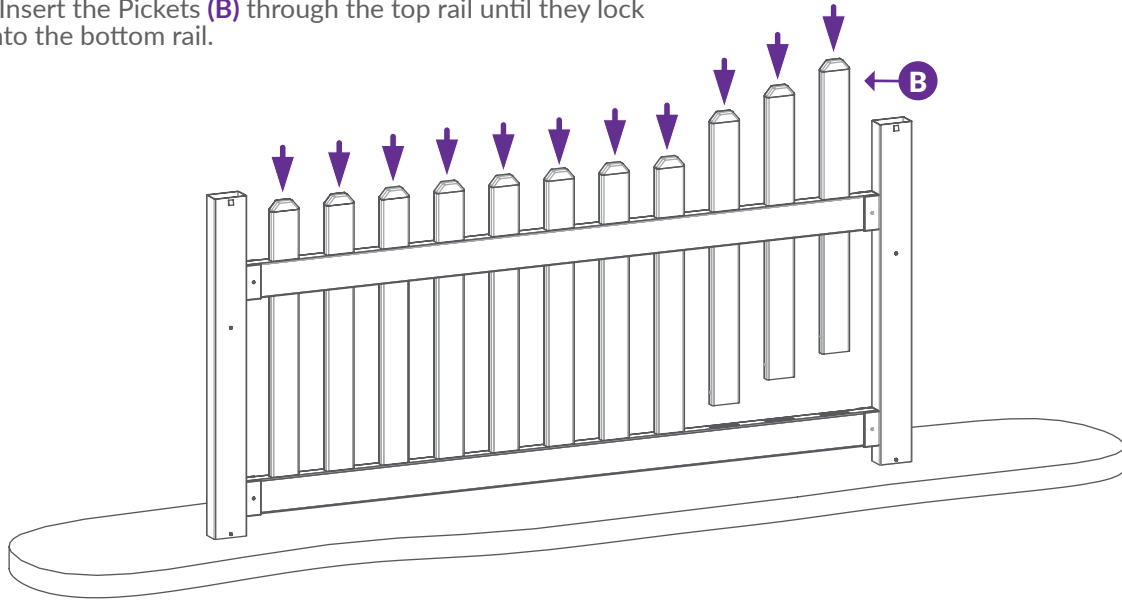
▶ Make sure the bottom and top rails line up in order to align the pickets, and slide the Top Rail (E) into the rail brackets. Use (8) ¾" self-drilling stainless steel screws to secure brackets to both rails.



## INSTALL PICKETS AND POST CAPS

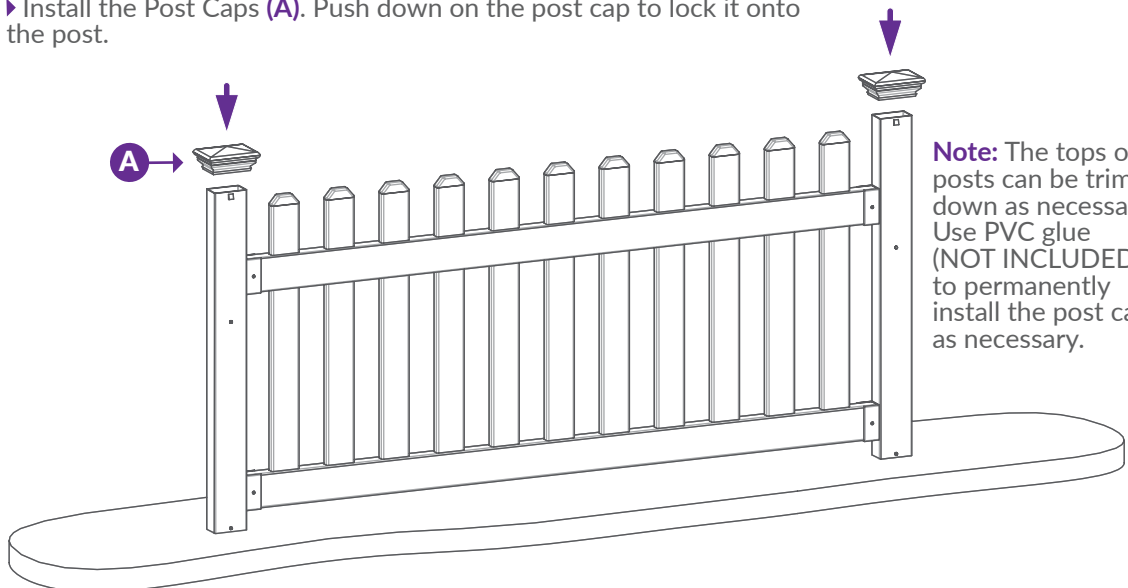
### STEP 6.1 ▶

▶ Insert the Pickets (B) through the top rail until they lock into the bottom rail.



### STEP 6.2 ▶

▶ Install the Post Caps (A). Push down on the post cap to lock it onto the post.



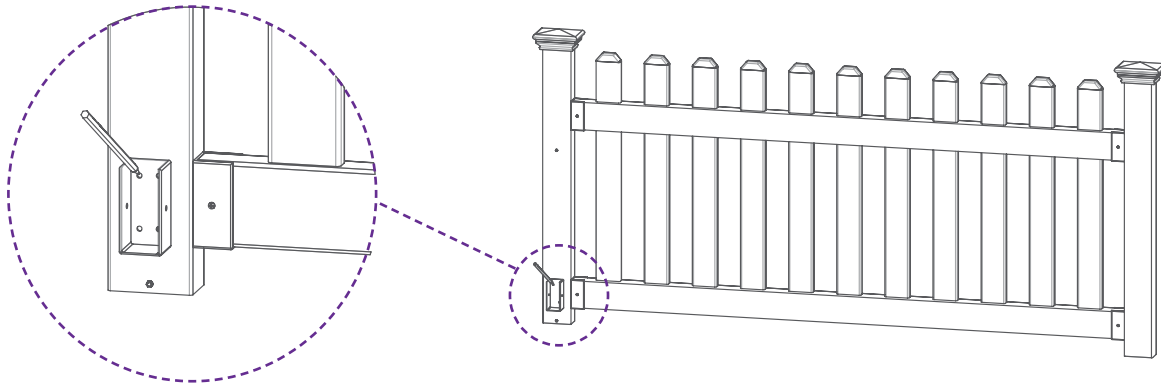
**Note:** The tops of the posts can be trimmed down as necessary. Use PVC glue (NOT INCLUDED) to permanently install the post caps as necessary.

**Tip:** Install one complete panel of fence first. Then proceed to install one or two pipe anchors, at a time, until you are accustomed to the process. This will prevent repeated mistakes.

## TIPS: INSTALLING BOTTOM FENCE BRACKETS AT A 90° ANGLE

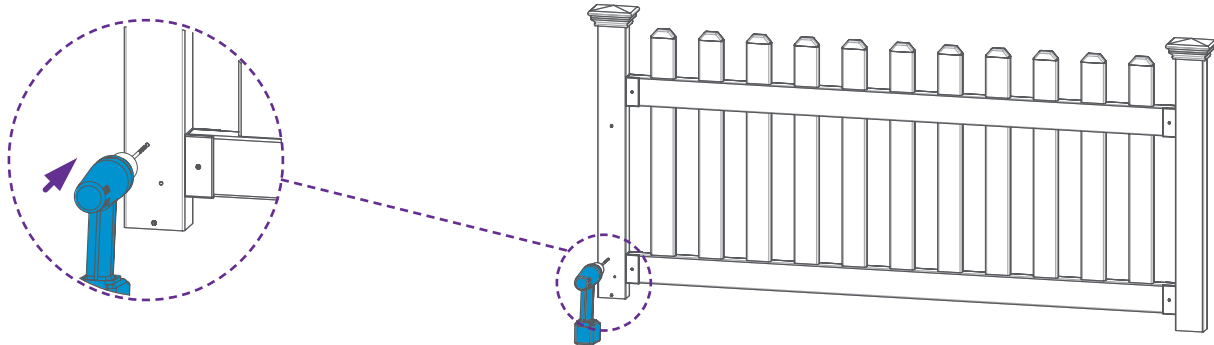
### TIP 1

- ▶ Place the rail bracket on the post and mark the locations of the four holes on the post.



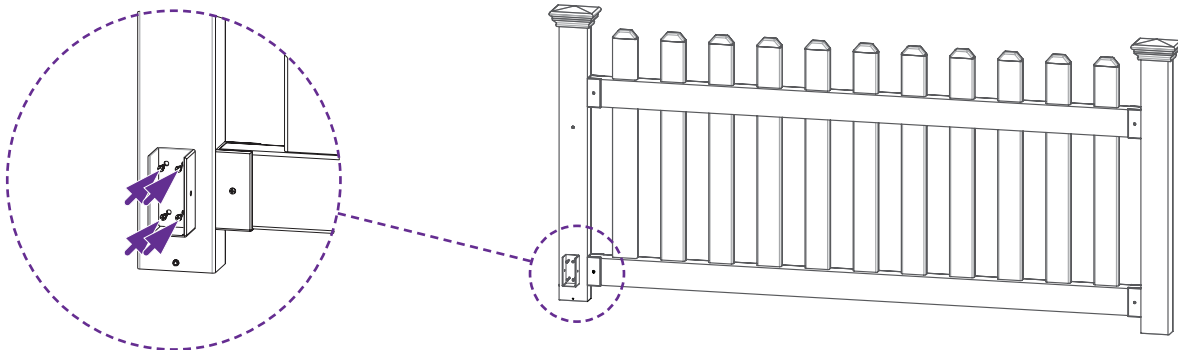
### STEP 7.2

- ▶ Using a 1/8" drill bit for steel (NOT INCLUDED), pre-drill the post and internal pipe anchor.



### STEP 7.3

- ▶ Secure each rail bracket with (4) 3/4" self-drilling stainless steel screws.



# WamBam

Fun Name. Serious Fence.



6935 Reames Rd. Ste. K.  
Charlotte, NC 28216



[hmmm@wambamfence.com](mailto:hmmm@wambamfence.com)

704-892-5222  
877-778-5733



[WWW.WAMBAMFENCE.COM](http://WWW.WAMBAMFENCE.COM)